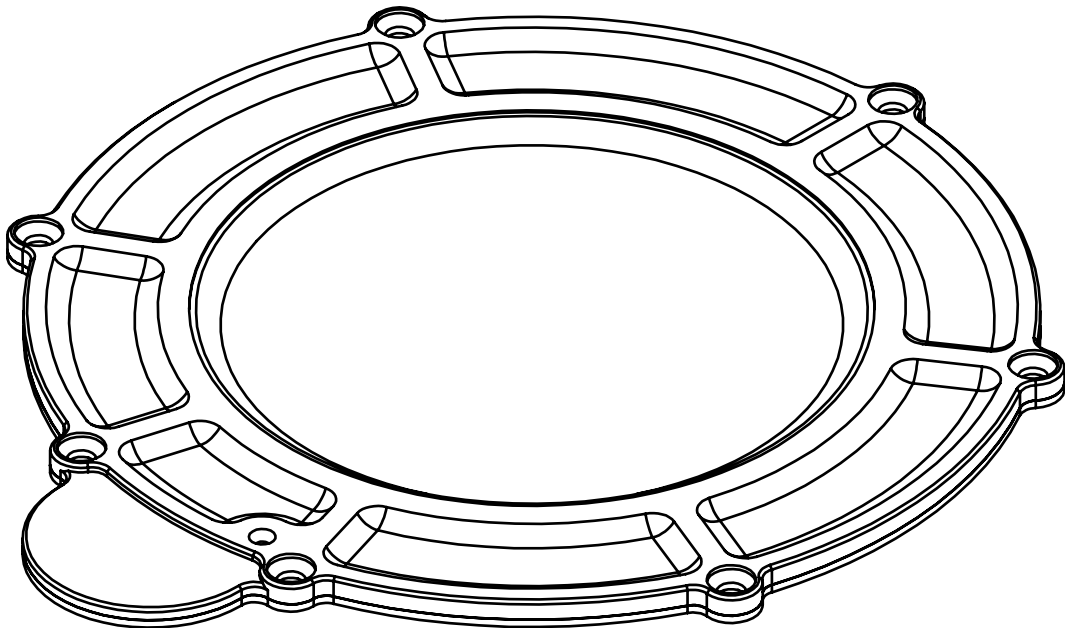


lekkie[®]

DRIVECOVER 01-02

USER MANUAL



Doc-V2.1

TIPS AND TRICKS

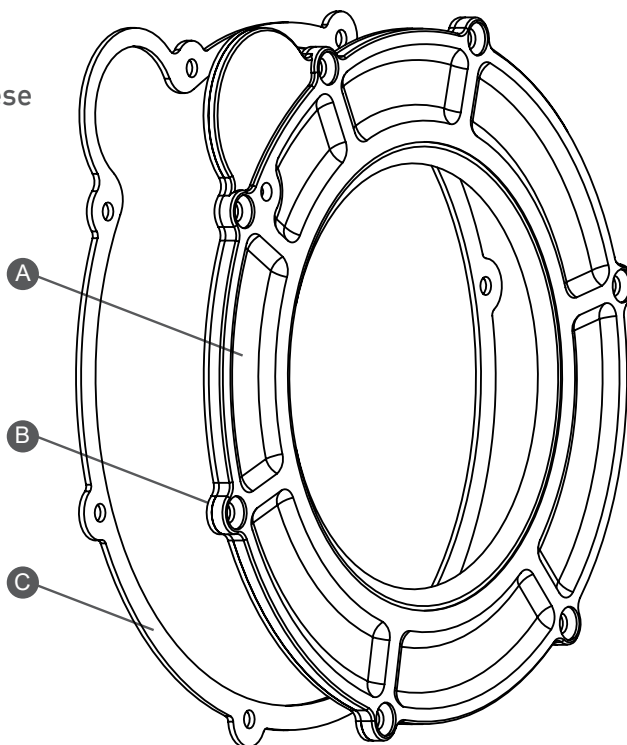
FOR LEKKIE DRIVE COVER 01/02.

COMPATIBLE WITH **BAFANG BBS01/BBS02 MOTOR**

INCLUDES

The Lekkie Drive Cover 01/02 has a rubber gasket already assembled onto the cover. These are the parts.

- A** 1X ALUMINIUM DRIVE COVER
- B** 1X RUBBER GASKET (PRE-GLUED)
- C** 1X GASKET SPACER



TOOLS REQUIRED

- Phillips screwdriver
- Moly-grease
- All purpose lithium grease
- Loctite 243

When installing the Lekkie DriveCover 01/02 you will ideally have some hands on experience with your motor. If you do not have the required tools, confidence or skills to install this take your motor to your local bike shop or engineering shop and they should be able to help you out.

INSTALL TIPS

Here are some tips to keep in mind while completing the install.

- To keep everything running smooth and easy to maintain make sure you grease all metal to metal surfaces.
- Clean any excess grease out of the motor while it is open. Avoid mixing different types of grease.
- Clean and grease the main gear and pinion.
- Always grease the axle taper before installing cranks.

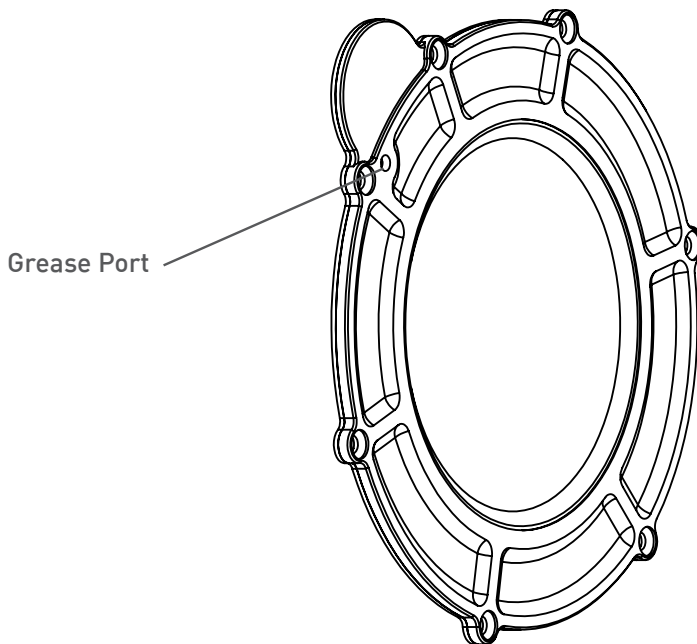
INSTALL

1. Clean the outside of your motor to avoid dirt contamination entering the housing when opening.
2. Unscrew the screws holding on the stock plastic cover and remove.
3. Clean and lubricate the main drive gear.
4. Clean the mounting surface of the motor body.
5. Wipe a smudge of grease onto the inside edge of the rubber lip of the Lekkie DriveCover.
6. *Place the spacer gasket on the back surface of the drive cover. Note, the gasket is asymmetrical, please ensure all screw holes are aligned.
7. Place some of the screws through the drive cover/spacer to hold the spacer in position during assembly.
8. Slide the Lekkie Drive Cover onto the motor.
9. Apply a drop of Loctite 243 to each screw and screw them in. Tighten screws until the Gasket is clamped + 1/2 a turn. **(Do not overtighten as gasket can distort).**

*Some motors have been found to drag on the underside of the rubber gasket causing excess friction. If this is the case, please use the gasket spacer to increase internal clearance.

GREASE PORT

To keep your motor running its best its important to regularly grease the main drive gear and pinion. We have added a grease port to the Lekkie Drive Cover 01/02 to allow this. To do so simply use a grease gun with needle point to squirt moly-grease in while slowly turning the motor. The port is positioned at the junction of the drive gear and pinion.



WARRANTY

At Lekkie we don't accept anything but the best workmanship and quality. If a part has slipped through our QC system and made it to your hands let us know and we will put it right.

If one of our products fails we want to know so we can make our products better. If you destroy a lekkie product in extreme use tell us. We can learn from this and sell you something so suit your needs.

If you are in anyway unhappy with your Lekkie product get in touch so we can put it right.