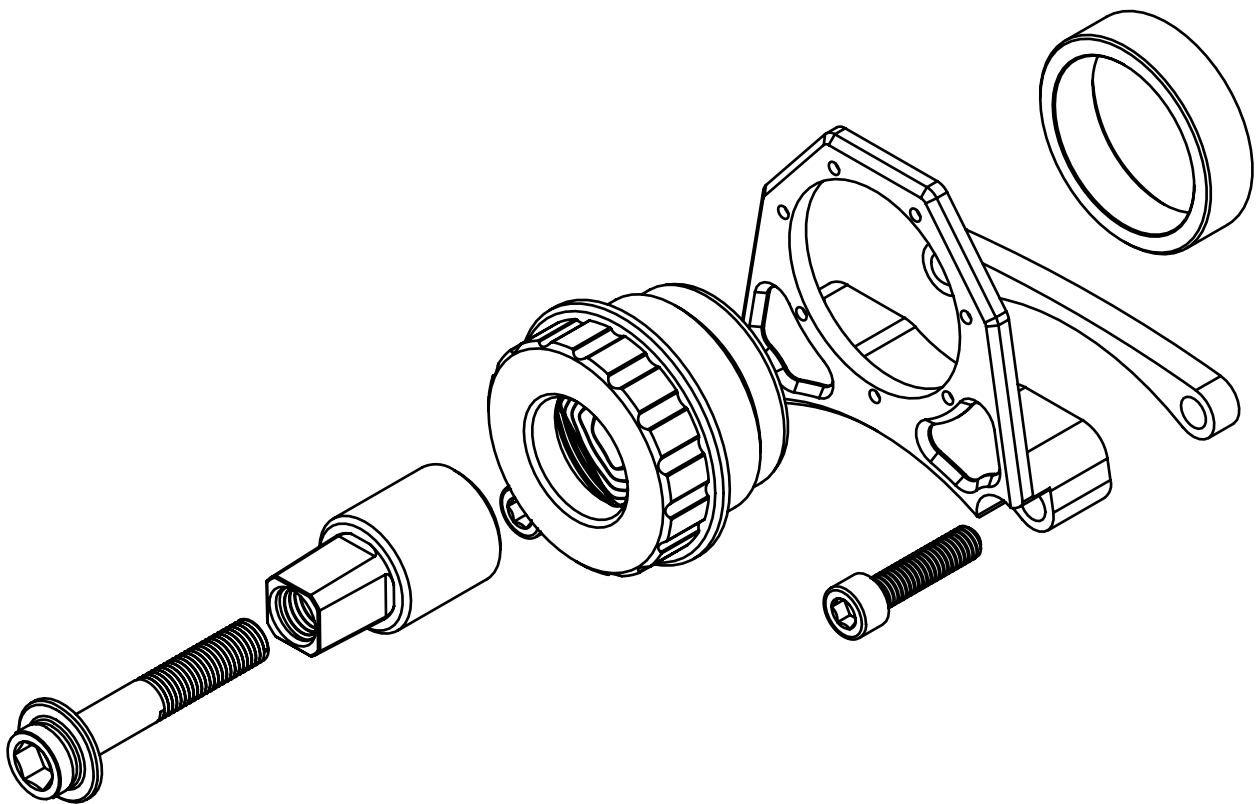


lekkie®

BB86/92 ADAPTER USER MANUAL



Doc-V2.0

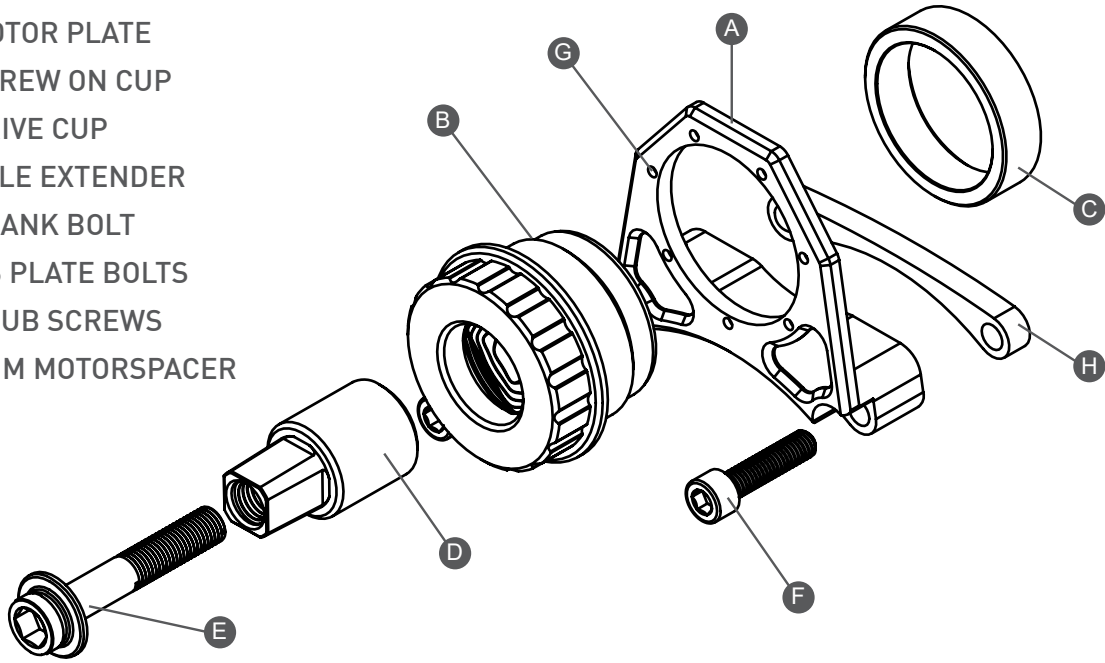
TIPS AND TRICKS

FOR LEKKIE BB86/92 ADAPTER

ADAPTS FRAMES WITH 41MM BB86/92 BOTTOM BRACKETS TO ALLOW FITMENT OF BAFANG BBS01, BBS02, BBSHD MID DRIVE MOTORS.

INCLUDES

- A** 1X MOTOR PLATE
- B** 1X SCREW ON CUP
- C** 1X DRIVE CUP
- D** 1X AXLE EXTENDER
- E** 1X CRANK BOLT
- F** 2X M6 PLATE BOLTS
- G** 7X GRUB SCREWS
- H** 1X 6MM MOTORSPACER



TOOLS REQUIRED

- 1.5mm hex key
- 5mm hex key
- Torque Wrench
- 16 notch Bafang Socket
- Bearing press
- All purpose lithium grease
- Loctite 243

When installing the Lekkie BB86/92 Adapter you will require some tools and some hands-on experience with your motor. If you do not have the required tools, confidence or skills to install this take your motor to your local bike shop or engineering shop and they should be able to help you out.

INSTALL TIPS

Here are some tips to keep in mind while completing the install.

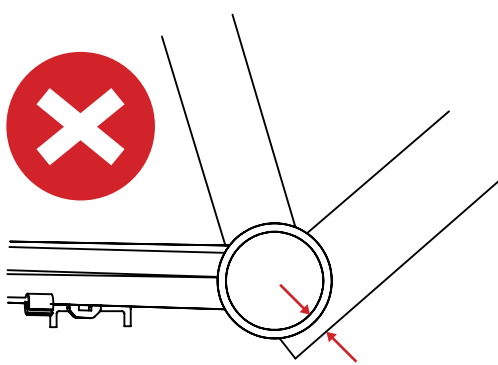
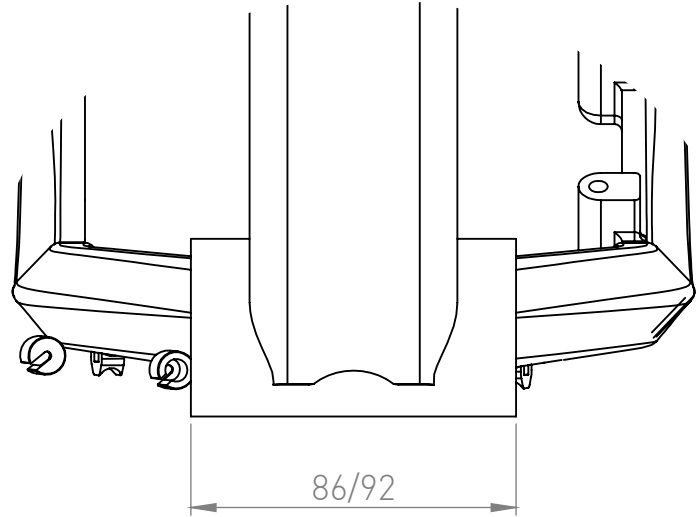
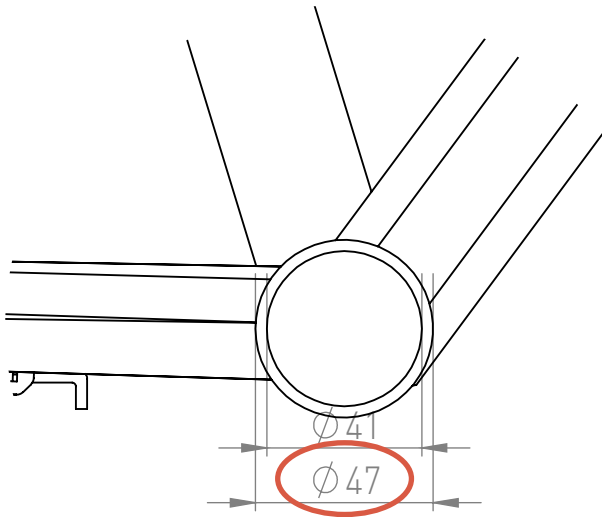
- To keep everything running smooth and easy to maintain make sure you grease all metal to metal surfaces.
- Always grease the axle taper before installing cranks.

FRAME GEOMETRY

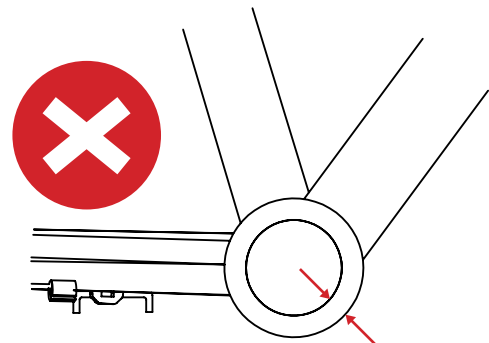
This adapter will only work with certain frame geometries. If your frame does not fit these specifications the adapter or motor will not fit your frame.

Ideal BB Shell Diameter - a bottom bracket shell of 47mm fits inside a recess in the motor. If your frame is 48mm it will work, however it will add 2mm sideways offset. If larger than 48mm, the motor will bottom out on other parts of the motor and therefore will not fit.

Ideal BB widths - note if 92mm BB you will need use the 6mm Motorspacer.



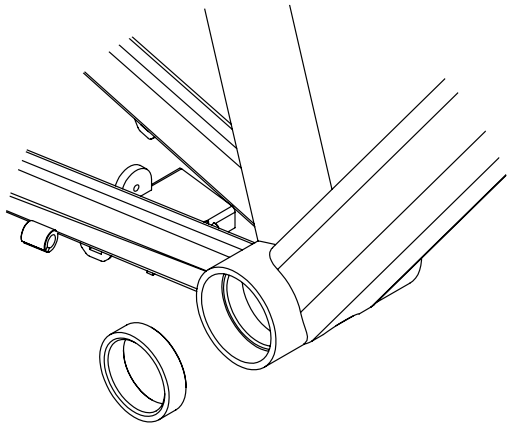
Protruding tubes, chain guide mounts or welds may get in the way of the motor.



Carbon frames often have a lot of reinforcing under the BB shell of the frame. The motor cannot fit due to material thickness.

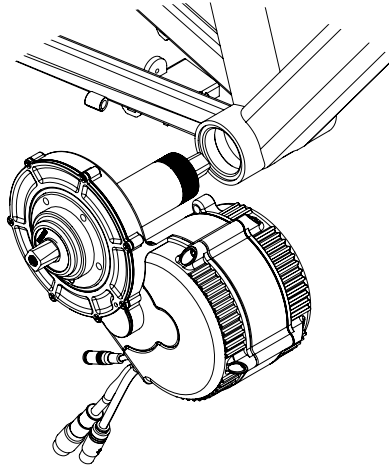
INSTALL

Installation is reasonably straight forward, just a few extra steps more than a standard conversion. Do not force any parts and if you are unsure, stop the assembly and contact us.

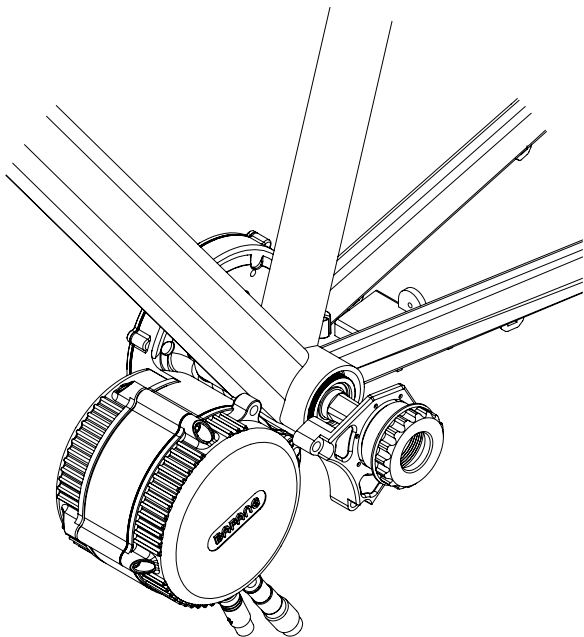


1. Grease and press the Drive Cup into the right side of the frame. It must be pressed hard against the inner lip.

Note: There may be a gap between the outer edge of the frame and the cup, this is fine.



2. Grease motor body shaft and slide through from the right hand side.

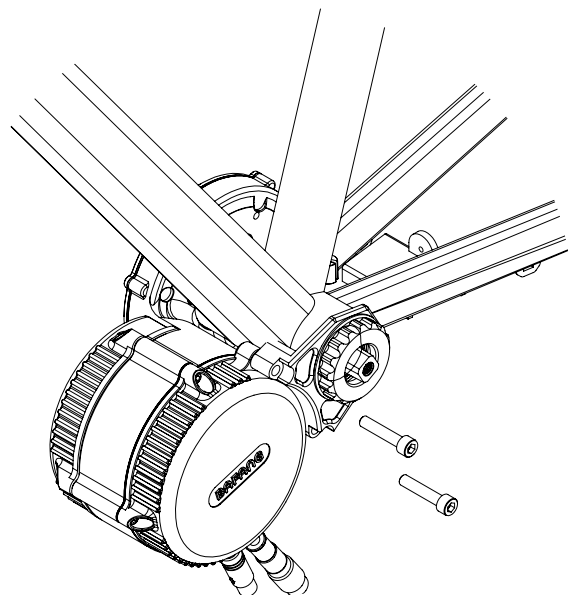


3a. Grease the inside of the frame on the left side.

3b. Check Grub screw(x7) protrusion.

Ensure there is approximately 1-2mm of grub screw point protruding through the motor plate. These will bite into the frame to stop rotation when the Screw On Cup is tightened.

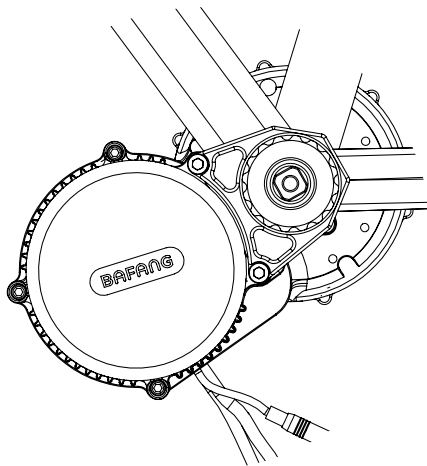
3c. Slide the Motor Plate onto the Screw On Cup and screw onto the motor loosely so that the motor can still rotate.



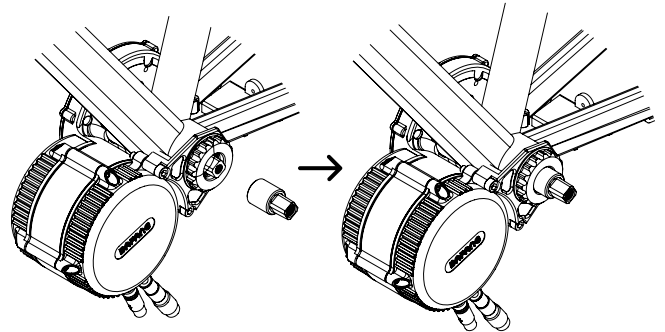
4. Loosely screw in the 2x M6 Plate Bolts.

Note: If you are installing on a 92mm wide frame, use the included Motorspacer between the motor plate and motor mounts. For BB shells with a 48mm outer diameter, you will need to add an additional 2mm BB spacer to clear on the drive side and corresponding washers to each bolt.

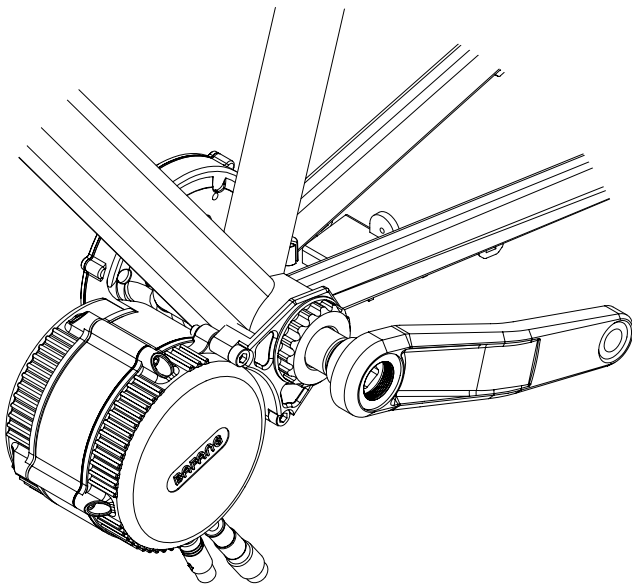
INSTALL



5. Rotate the motor up until it stops on the frame, hold and tighten the Screw On Cup with the 16 notch socket to 50-60Nm. Then tighten the plate bolts to 9Nm.

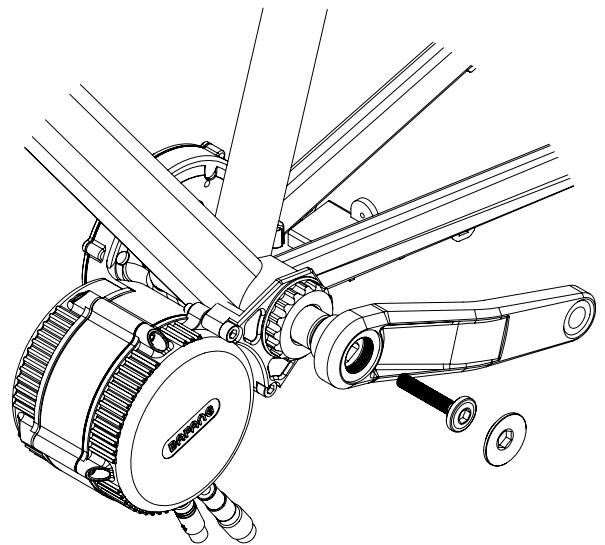


6. Grease the left side axle and slide on the Axle Extender.



7. Grease the Axle Extender and slide on the disassembled left Buzz Bar.

Note: See Buzz Bar User Guide for disassembly.



8. Using the Extender Crank Bolt tighten the axle extension assembly onto the motor and re-install the crank extractor.

Note: To remove the axle extender, simply remove the crank, grease the thread of the supplied M10x1.25 bolt and screw it into the extender until it pushes against the stock axle. Keep tightening until it removes the axle extender.

WARRANTY

At Lekkie we don't accept anything but the best workmanship and quality. If a part has slipped through our QC system and made it to your hands let us know and we will put it right.

If one of our products fails we want to know so we can make our products better. If you destroy a lekkie product in extreme use tell us. We can learn from this and sell you something so suit your needs.

If you are in anyway unhappy with your Lekkie product get in touch so we can put it right.