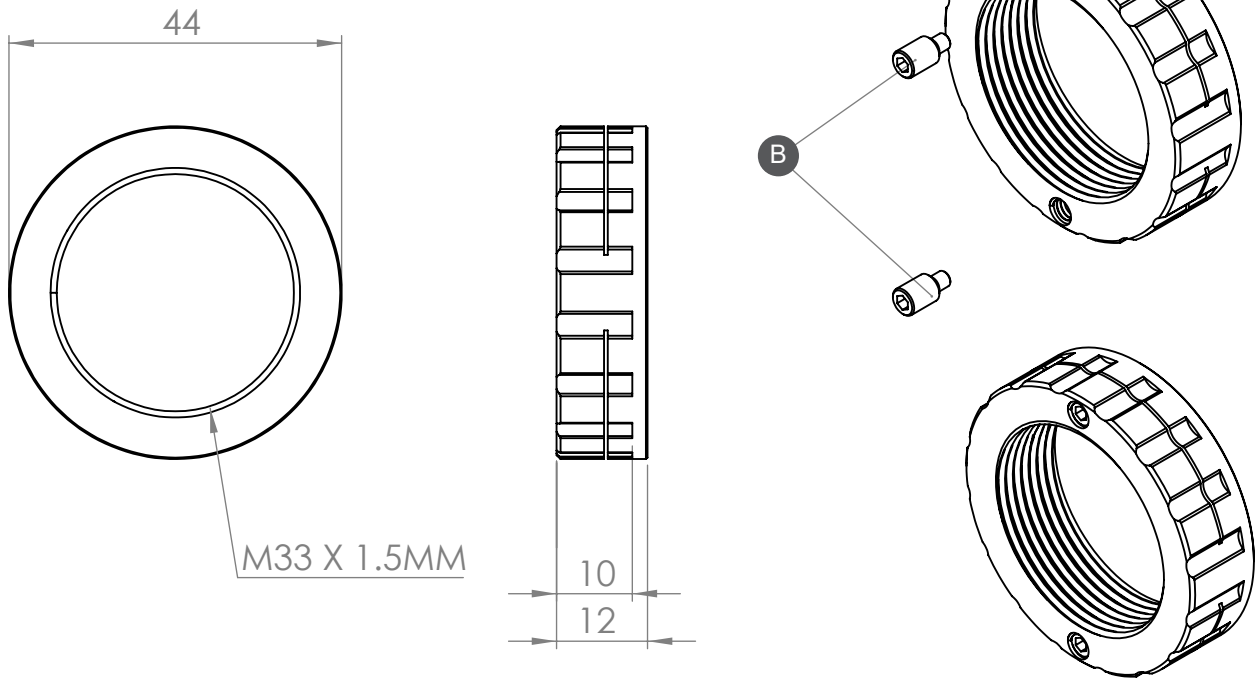


# TIPS AND TRICKS

FOR LEKKIE ONENUT  
COMPATABLE WITH **BAFANG BBS01/02HD, TRUCKRUN M05**

## INCLUDES

- A** 1X LEKKIE ONENUT
- B** 2X M4 GRUB SCREWS



## TOOLS REQUIRED

- Lekkie SIXTEEN-44 Socket/16 notch Shimano BB tool
- 2mm Hex/Allen Key

## INSTALL

Before fitting the Lekkie ONENUT make sure the locking plate is mounted correctly with no gaps between the motor and plate. A correctly installed plate should never come lose with a ONENUT. Please contact us if you are unsure of your setup.

1. Using the 2mm Allen Key loosen off the 2x Grub Screws so that they can move freely and screw the Lekkie ONENUT onto the motor
2. Tighten the ONENUT up to recommended Torque setting (50-60Nm) using the Lekkie SIXTEEN-44 Socket or Shimano 16-notch BB
3. Next you need to lock the ONENUT in place by tightening the 2x Grub Screws up. Tighten until the Grub Screw feels like it is starting to bottom out then tweak it up slightly (MAX 3Nm). It does not need much, just enough to spread the ONENUT open slightly and lock the thread in place. Be careful not to overtighten and scrip the Grub Screw tool engagement.
4. To remove the ONENUT simply undo the Grub Screws and unscrew the nut.

## WARRANTY

At Lekkie we don't accept anything but the best workmanship and quality. If a part has slipped through our QC system and made it to your hands let us know and we will put it right.

If one of our products fails we want to know so we can make our products better. If you destroy a lekkie product in extreme use tell us. We can learn from this and sell you something to suit your needs.

If you are in any way unhappy with your Lekkie product get in touch so we can put it right.