

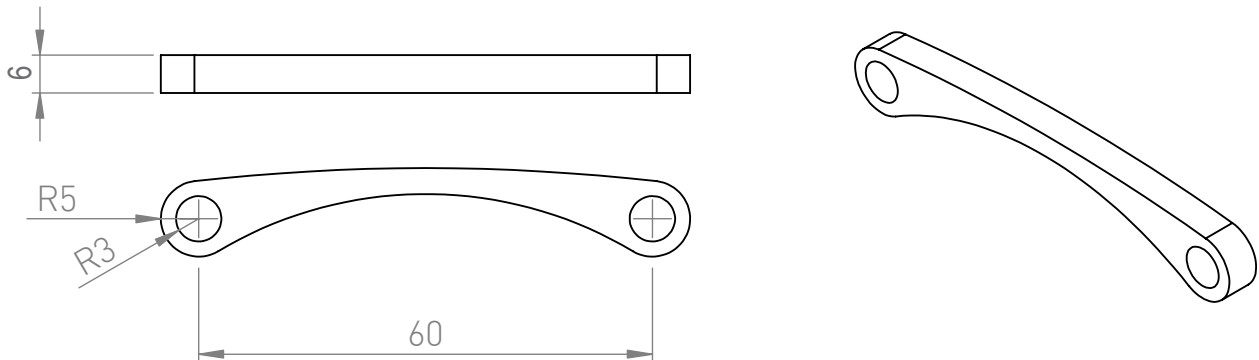
TIPS AND TRICKS

FOR 6MM MOTORSPACER.

COMPATIBLE WITH **BAFANG BBS01/BBS02/BBSHD MOTOR**

INCLUDES

1X 6MM MOTORSPACER



INSTALL TIPS

Here are some tips to keep in mind while completing the install.

- Use Motorspacer for 73mm wide bottom bracket frame builds that require extra spacing to take up the space between the motor and motor plate.
- To keep everything running smooth end easy to maintain make sure you grease all metal to metal surfaces.
- Use 6mm longer M6 bolts.

WARRANTY

At Lekkie we don't accept anything but the best workmanship and quality. If a part has slipped through our QC system and made it to your hands let us know and we will put it right.

If one of our products fails we want to know so we can make our products better. If you destroy a lekkie product in extreme use tell us. We can learn from this and sell you something so suit your needs.

If you are in anyway unhappy with your Lekkie product get in touch so we can put it right.