

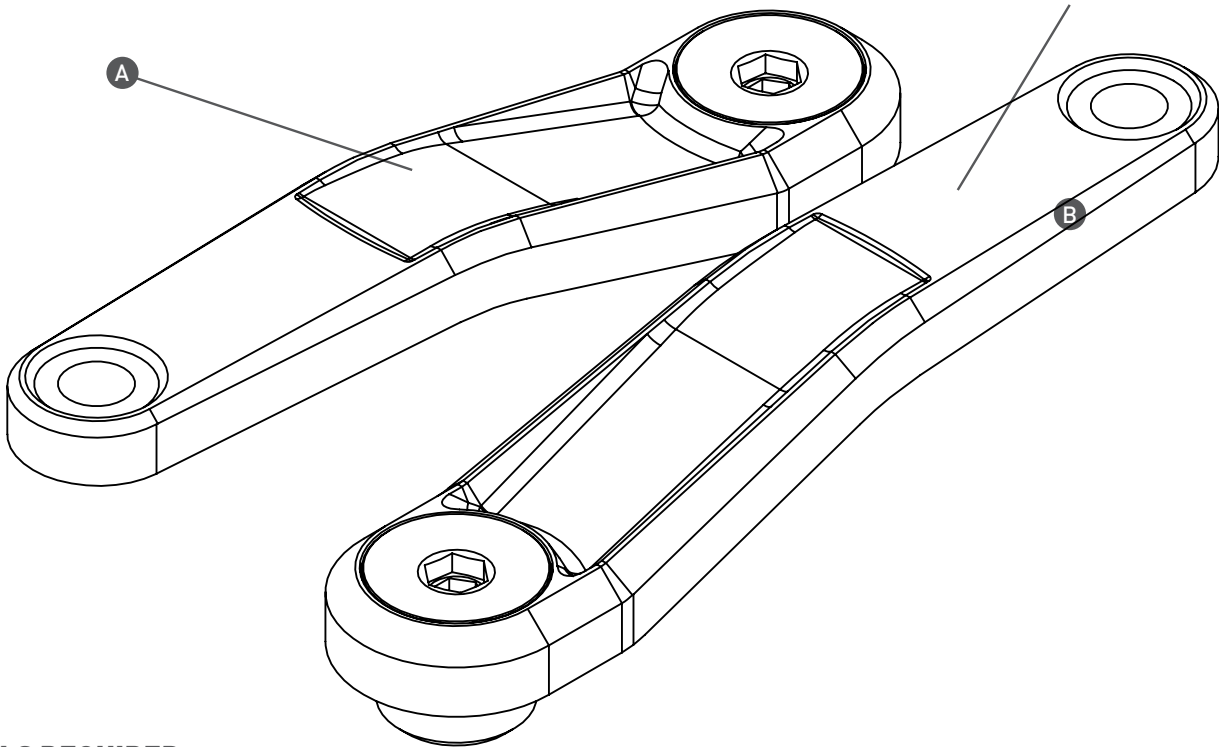
# TIPS AND TRICKS

FOR BUZZ BARS ISIS V2

COMPATIBLE WITH ISIS SPLINE **BROSE DRIVE-S**, **YAMAHA PW-X2**, **BOSCH PERFORMANCE LINE**, **BOSCH PERFORMANCE LINE CX**, **BOSCH ACTIVE LINE**, **BAFANG 620\***

## INCLUDES

- A** 1X LEFT OFFSET BUZZ BAR
- B** 1X RIGHT OFFSET BUZZ BAR



## TOOLS REQUIRED

- 8mm hex key
- All purpose lithium grease
- Loctite 243

## INSTALL TIPS

- Clean and lubricate axle with a multi-purpose grease before install.
- Apply Loctite 243 to bolt thread.
- Make sure left and right cranks are on the correct sides.
- Tighten to 60Nm

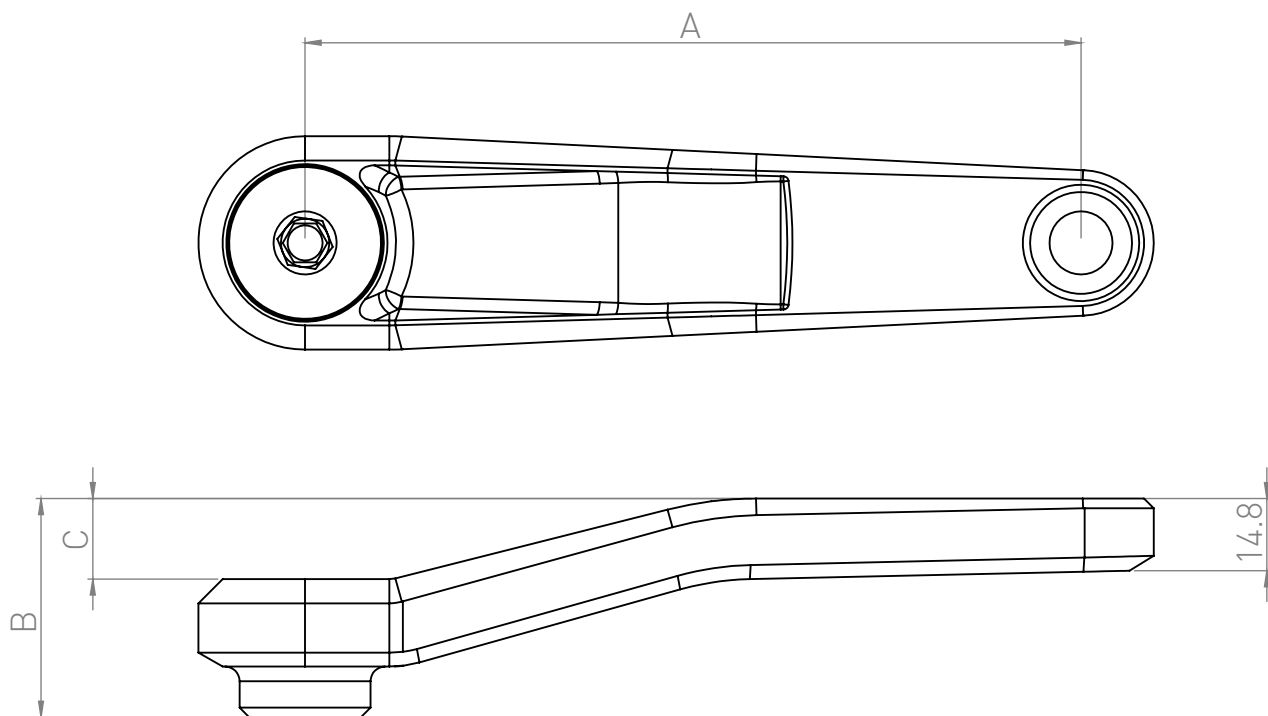
## PEDAL INSTALL

- Grease pedal thread with a multi-purpose grease before install.
- Make sure left and right pedals are on the correct sides.
- Note left pedal is left hand thread (counter-clockwise to tighten).
- Tighten to 31-34Nm.

\* Please contact us before purchasing for this motor as there are some compatibility issues depending on the motor version.

## DIMENSIONS

Here are the basic dimensions of the cranks. Note the image is just an illustration to explain the drawing.

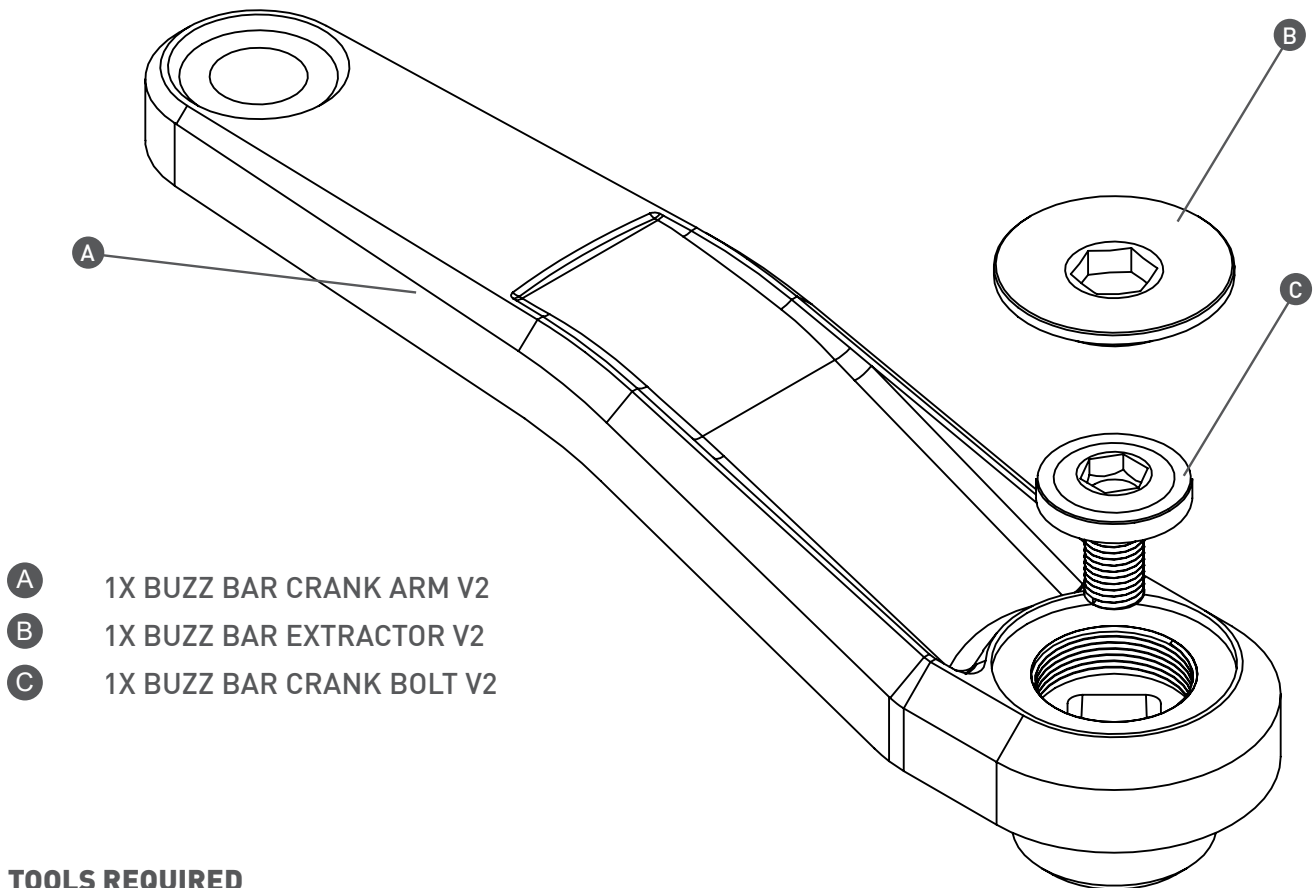


CRANK SET	CRANK	A	B	C
BUZZ BARS D0160	LEFT	160	45.1	16.6
	RIGHT	160	45.1	16.6
BUZZ BARS D0170	LEFT	170	45.1	16.6
	RIGHT	170	45.1	16.6

Measurements in mm

# MAINTENANCE

The Buzzbars shouldn't need to be disassembled however if they are creaking or have had a hard life in the elements the an overhaul is a good idea.



## TOOLS REQUIRED

- 10mm hex key
- All purpose lithium grease
- Loctite 243

1. Remove the crank from the motor.
2. Insert 10mm hex tool into the Buzz Bar Self Extractor V2 and unscrew.
3. Now you can remove the Buzz Bar Crank Bolt V2 which is just sitting in the crank.
4. Clean any residue grease from threads, square taper and any other surfaces.
5. Apply a smudge of lithium grease to the both the underside of the bolt and under side of extractor.
6. Apply Loctite 243 to thread on extractor and thread into crank arm. Tighten 12-15Nm.

## WARRANTY

At Lekkie we don't accept anything but the best workmanship and quality. If a part has slipped through our QC system and made it to your hands let us know and we will put it right.

If one of our products fails we want to know so we can make our products better. If you destroy a lekkie product in extreme use tell us. We can learn from this and sell you something so suit your needs.

If you are in anyway unhappy with your Lekkie product get in touch so we can put it right.